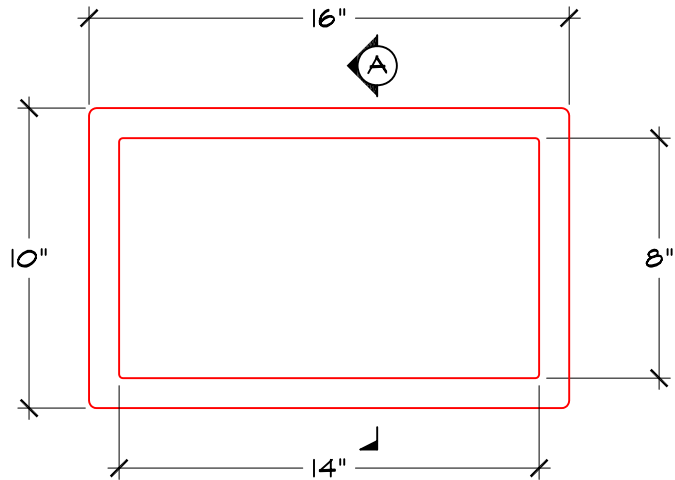


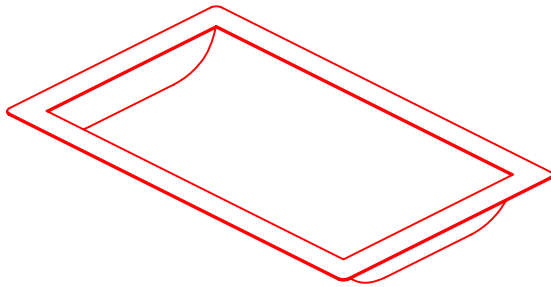
SECTION A

2"=1'-0"



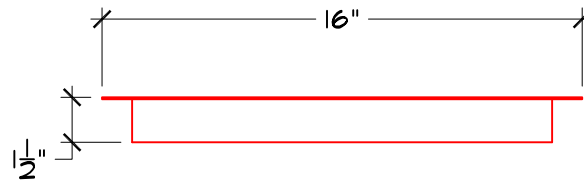
PLAN

2"=1'-0"



ISOMETRIC

2"=1'-0"



ELEVATION

2"=1'-0"

NOTES:

- 1) 16 GAUGE STAINLESS STEEL
- 2) SATIN FINISH
- 3) STANDARD ACCEPTED FOR BALLISTIC USE
- 4) REQUIRED CUT-OUT IS 14-1/4" x 8-1/4"
- 5) MAX CUT-OUT DEPTH MUST BE 2" TO ALLOW FOR F.G.

| | |
|--|---------------------------------------|
| ESTIMATE ONLY <input type="checkbox"/> | FINAL DESIGN <input type="checkbox"/> |
| APPROVAL: | |
| SIGNATURE _____ | |
| NAME _____ | |
| DATE _____ | |



Protective Structures, LTD
 7565 Industrial Court Alpharetta Georgia 30040
 770-521-8666, Fax: 770-521-2299 Toll Free: 1-888-521-8666 Web Site
 www.protectivestructures.com

**1610 - RECESSED
 STAINLESS STEEL
 DEAL TRAY**

| |
|----------------------|
| CODE: |
| JOB # |
| DATE: |
| PAGE: _____ of _____ |