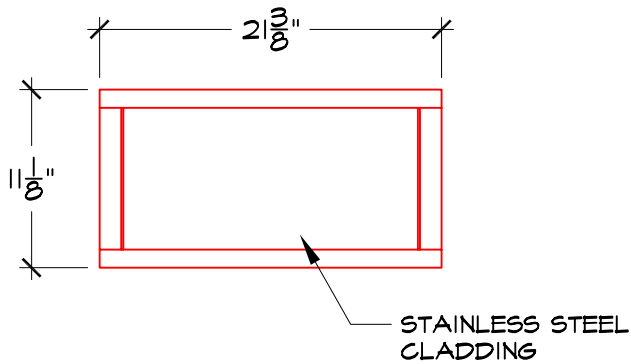
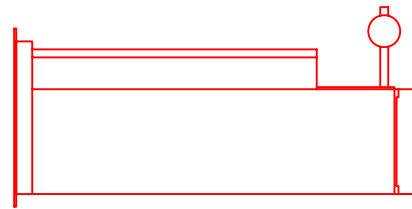


TOP



FRONT



RIGHT

REQUIRED WALL OPENING 19 11/16" x 9 1/2"

ESTIMATE ONLY <input type="checkbox"/>	FINAL DESIGN <input type="checkbox"/>
APPROVAL:	
SIGNATURE _____	
NAME _____	
DATE _____	



Protective Structures, LTD
 7565 Industrial Court Alpharetta Georgia 30040
 770-521-8666, Fax: 770-521-2299 Toll Free: 1-888-521-8666 Web Site
www.protectivestructures.com

**LEVEL 4
 PASS THROUGH DRAWER
 MODEL BGC198**

CODE:
JOB #
DATE:
PAGE: of